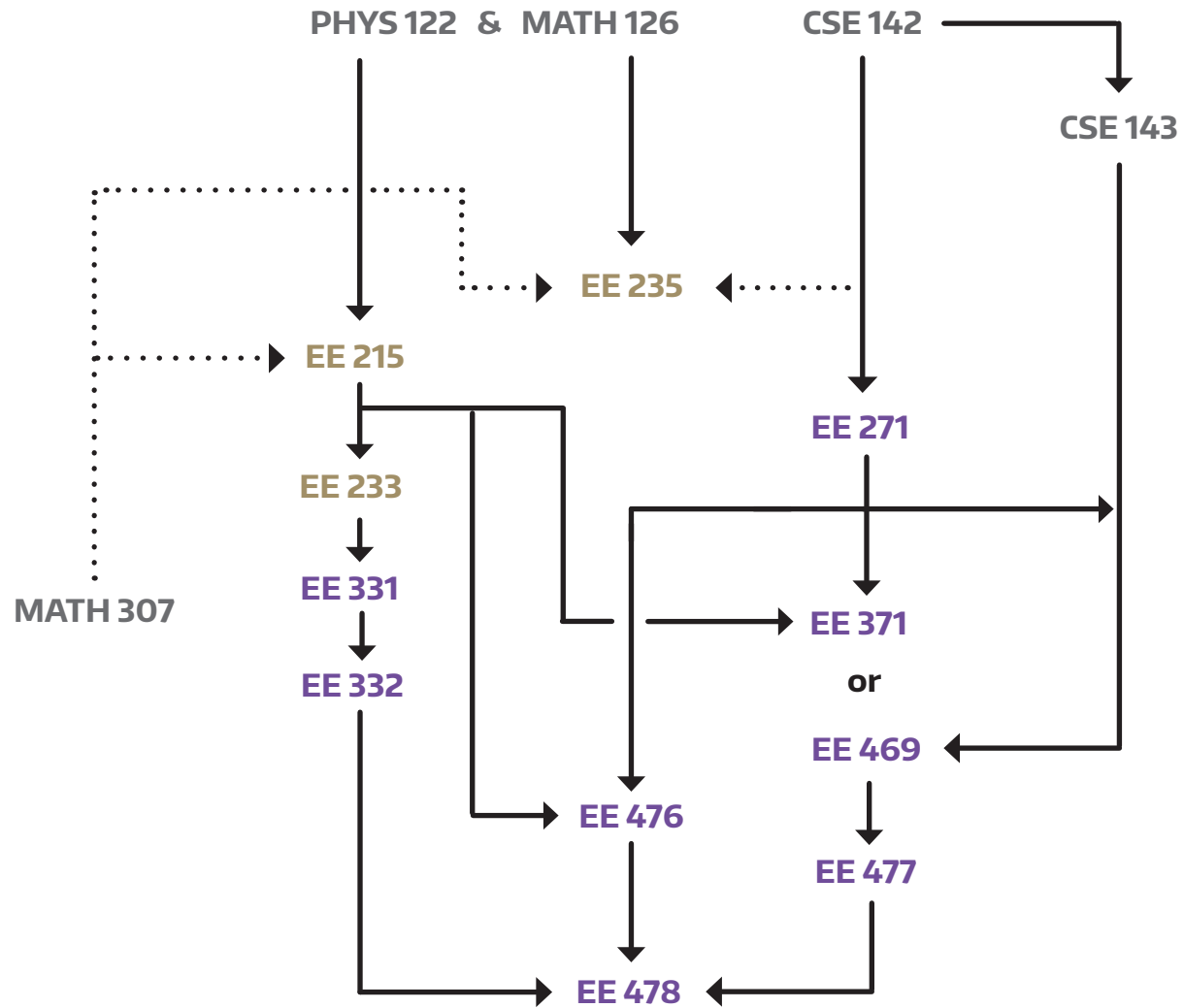


Digital VLSI Major Concentration

(40 cr.)

- Math & Programming
- EE Core
- Concentration
- Prerequisite
- Concurrent Prerequisite
- *Capstone Course



Major Requirements

- 10 cr. Approved Non-EE Electives
- 8-9 cr. Free Electives
- 15 cr. EE Electives
- 10 cr. Engineering Electives
- One of STAT 390, STAT 391, STAT 394, IND E 315