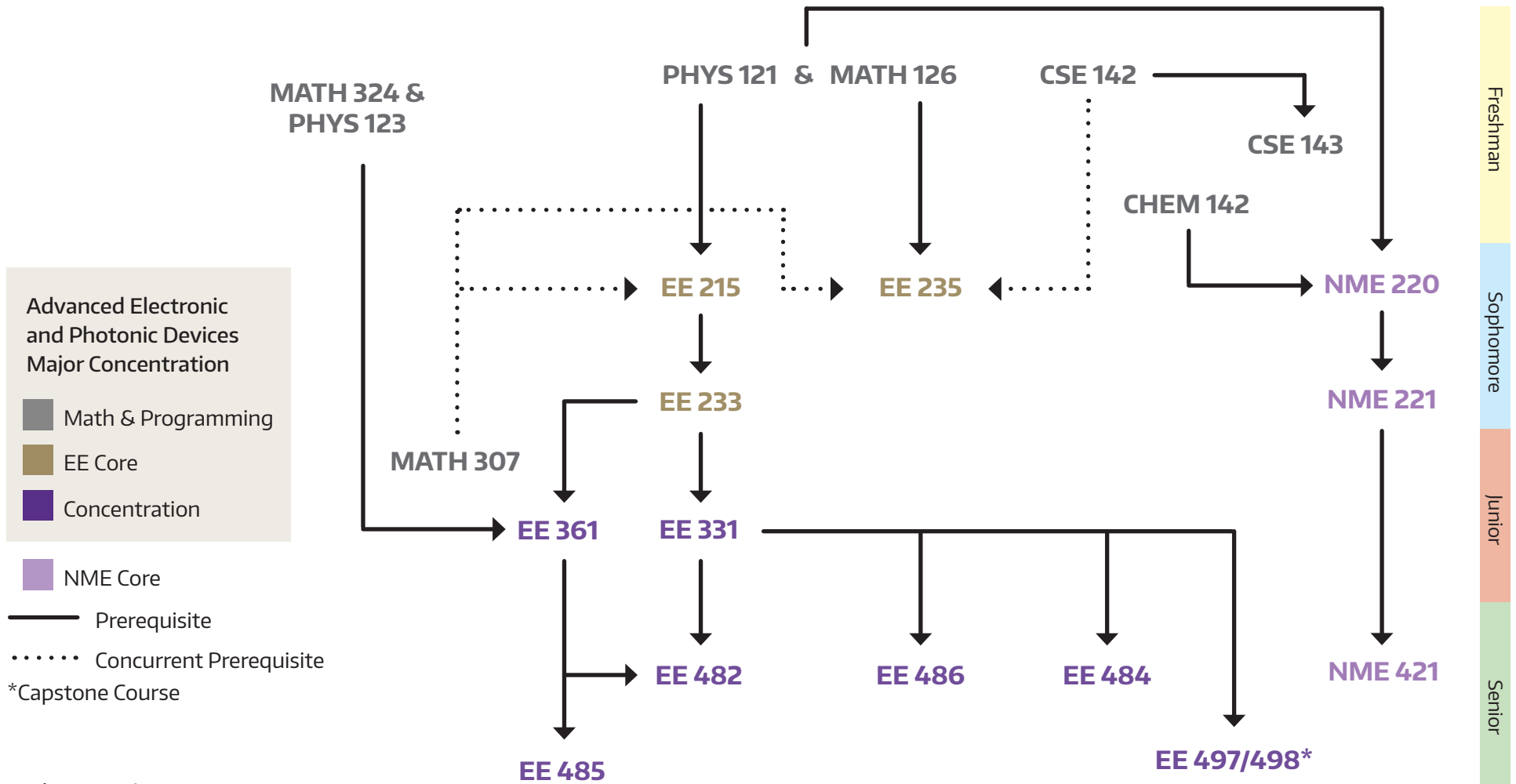


Nanoscience and Molecular Engineering Option

(39 cr.)



Major Requirements

- 10 cr. Approved Non-EE Electives
- 8-9 cr. Free Electives
- 15 cr. EE Electives
- 10 cr. Engineering Electives
- One of STAT 390, STAT 391, STAT 394, IND E 315