

# Power Electronics and Drives Major Concentration

(28 cr.)

\* As of autumn 2021, MATH 307, MATH 308, and MATH 324 are renumbered as MATH 207, MATH 208, and MATH 224, respectively. Students can apply either the 200- or 300-level number for each course toward their degree requirements.

Math & Programming

EE Core

Concentration

Prerequisite

Concurrent Prerequisite

\*\*Capstone Course  
(may be replaced with  
ENGINE capstone EE 497/498)

## Major Requirements

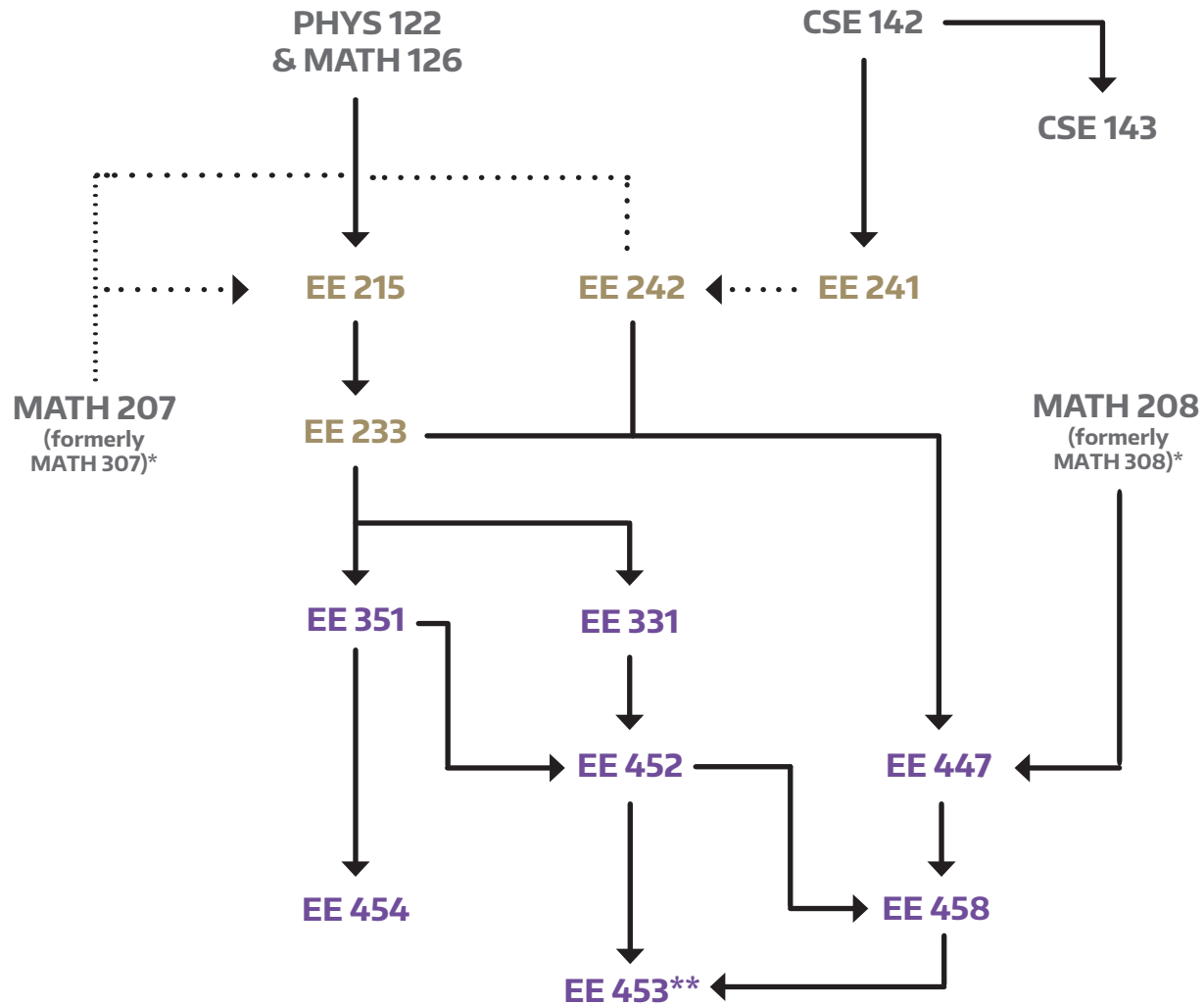
10 cr. Approved Non-EE Electives

8-9 cr. Free Electives

15 cr. EE Electives

10 cr. Engineering Electives

One of STAT 390, STAT 391, MATH/STAT 394, IND E 315



Freshman

Sophomore

Junior

Senior