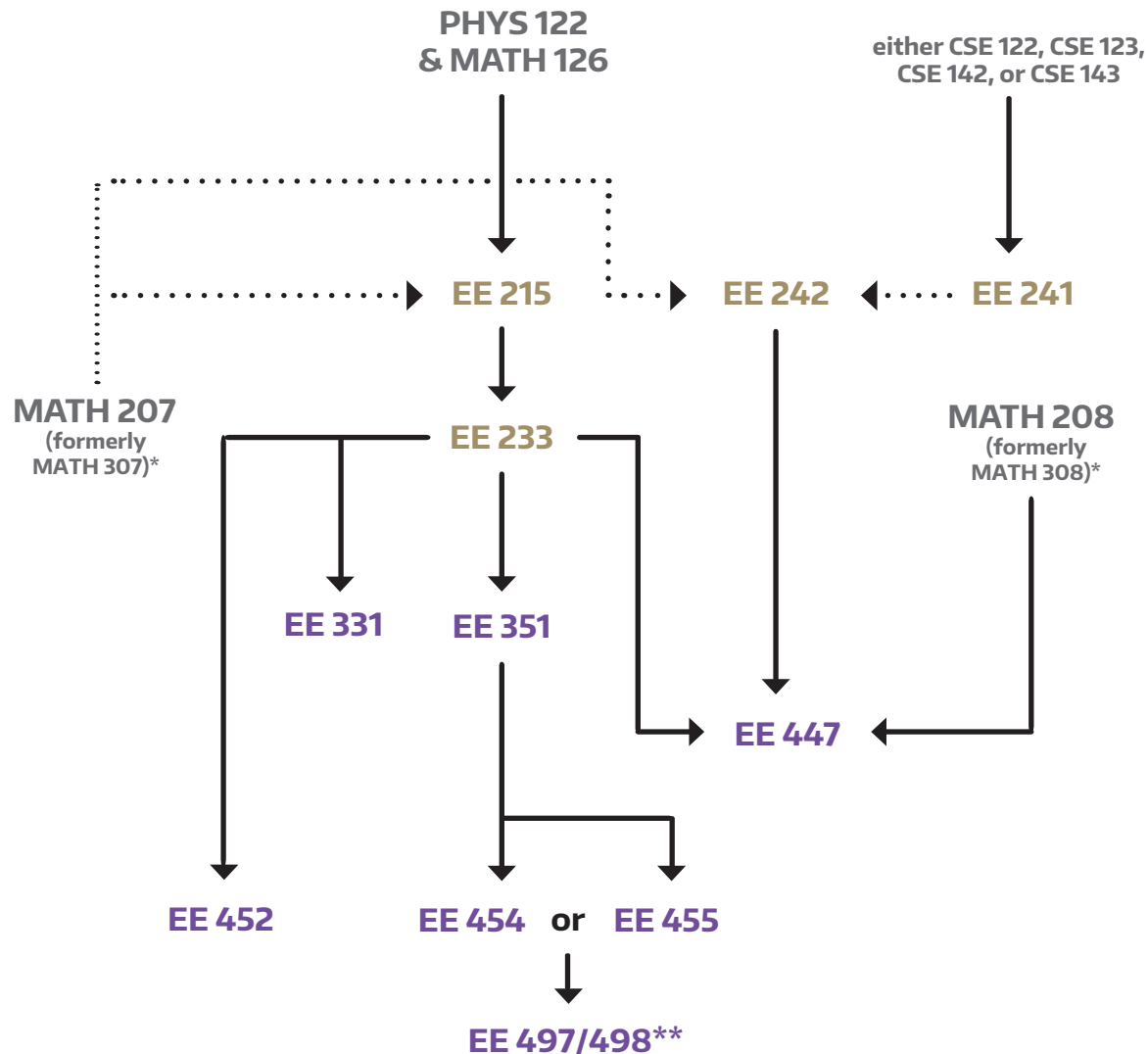


Sustainable Power Systems Major Concentration

(35 cr.)

* As of autumn 2021, MATH 307, MATH 308, and MATH 324 are renumbered as MATH 207, MATH 208, and MATH 224, respectively. Students can apply either the 200- or 300-level number for each course toward their degree requirements.

- Math & Programming
- EE Core
- Concentration
- Prerequisite
- Concurrent Prerequisite
- **Capstone Course



Freshman
Sophomore
Junior
Senior

Major Requirements

- 10 cr. Approved Non-EE Electives
- 8-9 cr. Free Electives
- 15 cr. EE Electives
- 10 cr. Engineering Electives
- One of STAT 390, STAT 391, MATH/STAT 394, IND E 315